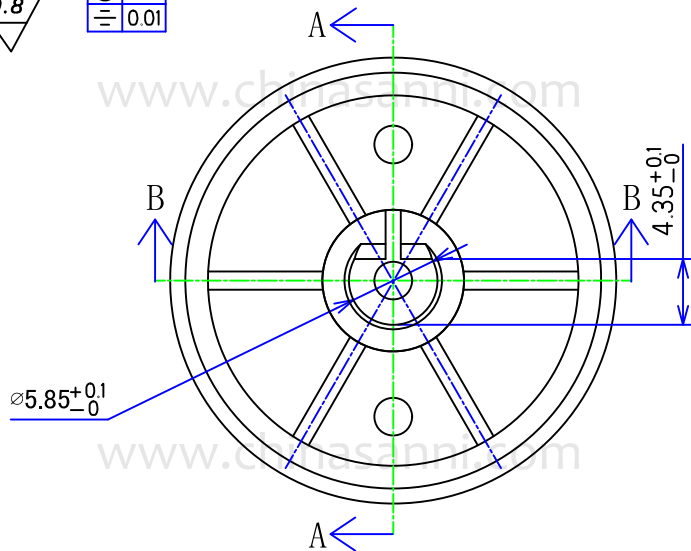
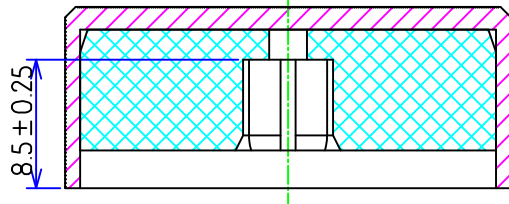




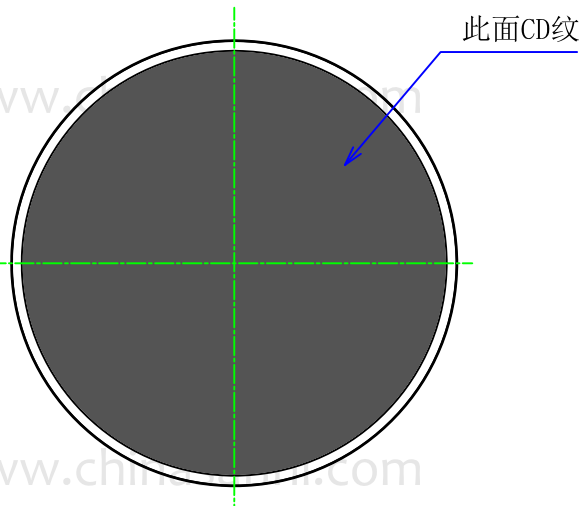
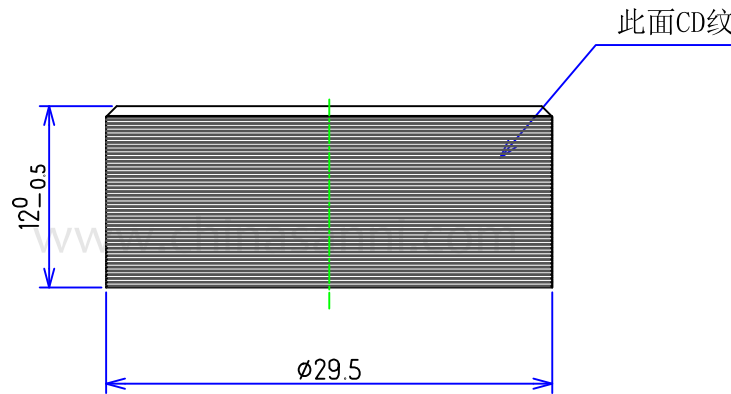
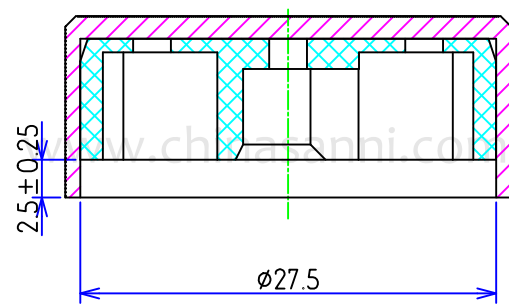
0.01
0.01



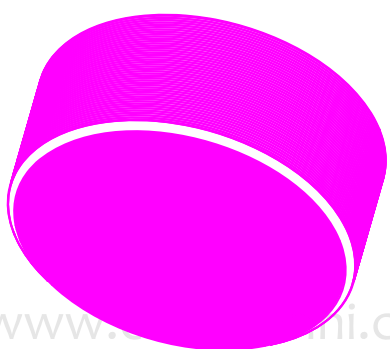
B-B剖视图



A-A剖视图



3D图



技术要求:

- 1. 表面无划痕，色差等；
- 2. 无缩水、披锋、水纹；
- 3. CD纹无乱纹；
- 4. 塑胶与外壳的拉力≥8KG不脱出；

Material No. PC+铝				Dispose: 氧化亮黑色		S:	D:	V:	M:
△5				TOL UNLESS OTHERWISE STATED		DESIGNED	CHECKED	SANNI ELECTRONIC TECHNOLOGY	
△4				BASIC DIMENSION	TOLERANCE				
△3				Less than 1.00	±0.1			Model No.	XN-209-FB
△2				1.00-less than 10.0	±0.15	DRAWING No.	RD-BD-XN-022	Document No.	XN-209 旋钮
△1				10.0-less than 50.0	±0.5	UNIT mm	Edition A1.1		
SYMB	REVISION	DATE	APPROVED	ANGLE	±0.5°	SCALE 2:1	2023-09/12		