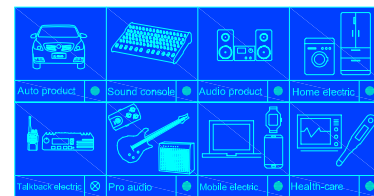




**Features**

- 9-position low-profile vertical type
- Seal type
- IP67
- Low-profile 7.5mm height contributes to flexibility in set design



Notes: ● Recommend ● Not recommend

**RS17 Series Insulation Shaft Rotary Switch**

**How To Order**

**RS17M21-16-FB20B12-000**

A B C D E F G H I

A ..... Rotary Switch  
 C ..... PC Pin Vertical/Terminal Size  
 D ..... Switch Gear Line

B ..... Bushing Specification "W"  
 P=1.5 C=4.0 R=5.0  
 E ..... Shaft Style  
 F ..... Standard Shaft Length "L"  
 G ..... Shaft Materials  
 H ..... Installation Dimension "A"  
 I ..... Serial number

16

Code	Poles No.	Angle
1	Single Electrode	30°
2	Bipolar Electrode	30°
A	Single Electrode	45°
B	Bipolar Electrode	45°

Code	Positions	Angle
2	2	30° 45°
3	3	
4	4	
5	5	
6	6	
7	7	
8	8	
9	9(360°)	

**Mechanical Characteristics**

Angle OF Throw.....30°±3° of 45°±5°  
 Shaft Stopper Strength.....3Kgf.cm min.  
 Shaft Wobble.....0.6 x L/20mm p-p max.  
 Actuator Strength Operating Direction.....0.6N.m  
 Actuator Strength Pulling Direction.....100N.m  
 Terminal Strength.....5N for 1minute

Rotational Torque.....150 to 450gf.cm  
 Soldering Condering.....  
 Manual Soldering.....96.5 Sn/3.0 Ag/0.5 Cu Sold Wire Or No-clean Rosin Cored Wire 280°C Max.For 3 Seconds  
 Wave Soldering.....96.5 Sn/3.0 Ag/0.5 Cu Solder With No-clean Flux 260°C Max.For 5 Seconds  
 Wash Process.....Not Recommended

**Electrical Characteristics**

Rating.....0.3A 16V DC max.  
 Insulation resistance.....100MQ min. 100V DC

Initial Contact Resistance.....50mΩ max  
 Voltage proof.....100V AC for 1 minute.

**Environmental Characteristics**

Operating Temperature Range.....-10 to +85  
 Storage Temperature Range.....-40 to +85

Sealability(Optional).....  
 RS171.....Not  
 RS17M.....IP67

**Durability Characteristics**

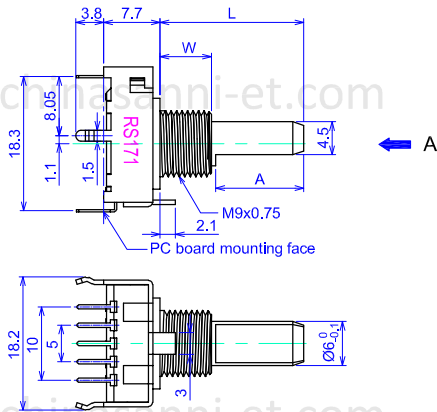
Rotational Life.....10,000 cycles



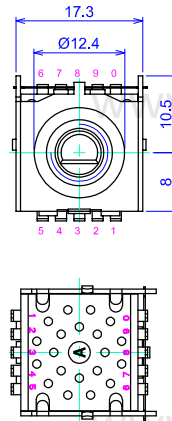
## Product Dimensions

Unit:mm

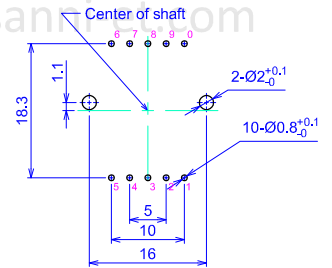
### RS17121



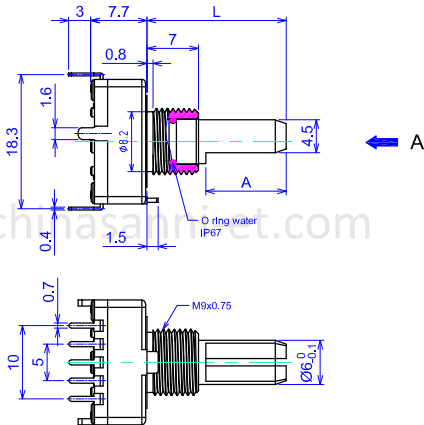
Shaft shown in full CCW position



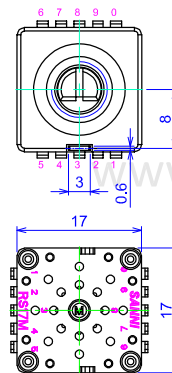
PC board mounting hole dimensions (Viewed from mounting side)



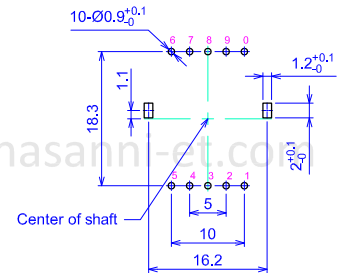
### RS17M21 (IP67)



Shaft shown in full CCW position



PC board mounting hole dimensions (Viewed from mounting side)



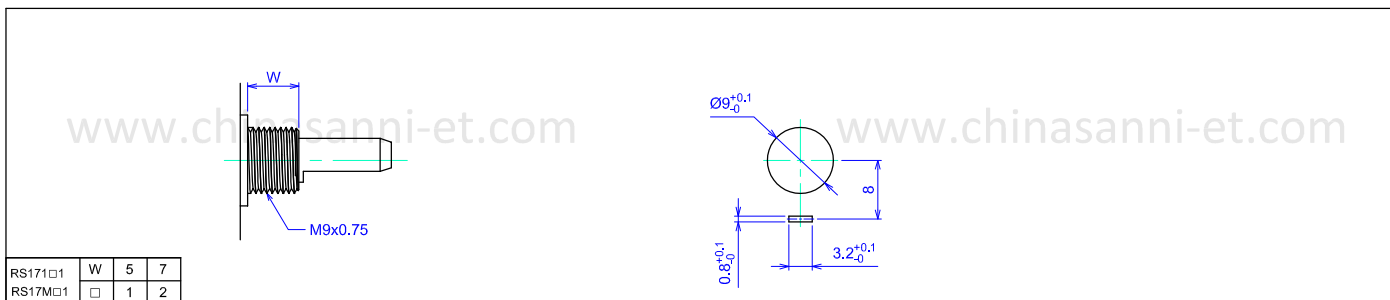
## Standard Circuit Diagram (Viewed From Direction A)

	RS17□□1-1□ 1-Circuit Rotation angle 30°	Dummy terminals
Circuit diagram		RS17□□1-1□ C-
		12-2 positions ④⑤⑥⑦⑧⑨
		13-3 positions ⑤⑥⑦⑧⑨
		14-4 positions ⑥⑦⑧⑨
		15-5 positions ⑦⑧⑨
		16-6 positions ⑧⑨
		17-7 positions ⑨
18-8 positions —		
19-9 positions — ⑩: On-off		
Circuit diagram		RS17□□1-A□ C-
		A2-2 positions ⑤⑥⑦⑧⑨
		A3-3 positions ⑥⑦⑧⑨
		A4-4 positions ⑦⑧⑨
		A5-5 positions ⑧⑨
		A6-6 positions ⑨
		A7-7 positions —

	RS17□□1-2□ 2-Circuit Rotation angle 30°	Dummy terminals
Circuit diagram		RS17□□1-2□ C1- C2-
		22-2 positions ④⑤ ⑧⑨
		23-3 positions ⑤ ⑨
		24-4 positions — —
Circuit diagram		RS17□□1-B□ C1- C2-
		B2-2 positions ⑤ ⑨
		B3-3 positions — —

Bushing Type&Panel Hole Fixed Size

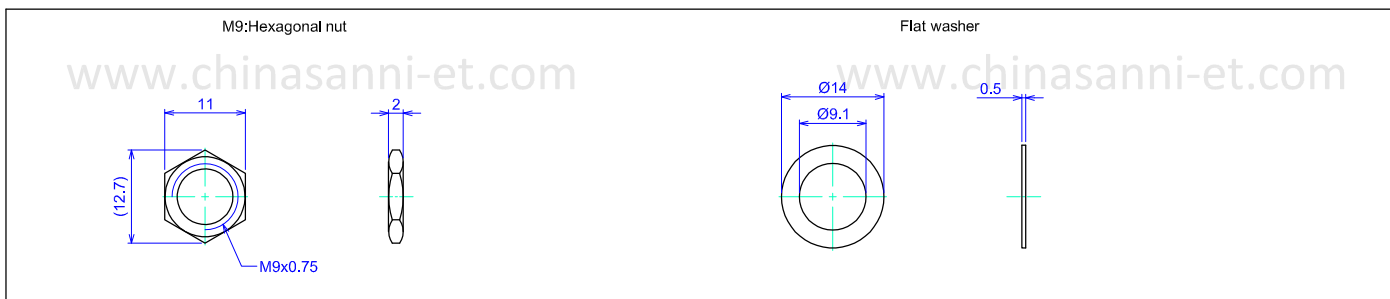
Unit:mm



RS171□□	W	5	7
RS17M□□	□	1	2

Attached Parts

Unit:mm



Shaft Specifications

Unit:mm

