



Features

- 9-position low-profile vertical type
- Seal type
- IP67
- Low-profile 7.5mm height contributes to flexibility in set design



Notes: ● Recommend ● Not recommend

RS17 Series Insulation Shaft Rotary Switch

How To Order

RS17M21-16-FB20B12-000

A B C D E F G H I

A Rotary Switch
 C PC Pin Vertical/Terminal Size
 D Switch Gear Line

B Bushing Specification "W"
 P=1.5 C=4.0 R=5.0
 E Shaft Style
 F Standard Shaft Length "L"
 G Shaft Materials
 H Installation Dimension "A"
 I Serial number

16

Code	Poles No.	Angle
1	Single Electrode	30°
2	Bipolar Electrode	30°
A	Single Electrode	45°
B	Bipolar Electrode	45°

Code	Positions	Angle
2	2	30° 45°
3	3	
4	4	
5	5	
6	6	
7	7	
8	8	
9	9(360°)	

Mechanical Characteristics

Angle OF Throw.....30°±3° of 45°±5°
 Shaft Stopper Strength.....3Kgf.cm min.
 Shaft Wobble.....0.6 x L/20mm p-p max.
 Actuator Strength Operating Direction.....0.6N.m
 Actuator Strength Pulling Direction.....100N.m
 Terminal Strength.....5N for 1minute

Rotational Torque.....150 to 450gf.cm
 Soldering Condering.....
 Manual Soldering.....96.5 Sn/3.0 Ag/0.5 Cu Sold Wire Or No-clean Rosin Cored Wire 280°C Max.For 3 Seconds
 Wave Soldering.....96.5 Sn/3.0 Ag/0.5 Cu Solder With No-clean Flux 260°C Max.For 5 Seconds
 Wash Process.....Not Recommended

Electrical Characteristics

Rating.....0.3A 16V DC max.
 Insulation resistance.....100MQ min. 100V DC

Initial Contact Resistance.....50mΩ max
 Voltage proof.....100V AC for 1 minute.

Environmental Characteristics

Operating Temperature Range.....-10 to +85
 Storage Temperature Range.....-40 to +85

Sealability(Optional).....
 RS171.....Not
 RS17M.....IP67

Durability Characteristics

Rotational Life.....10,000 cycles

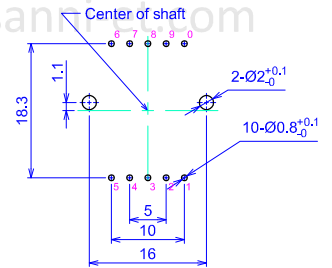
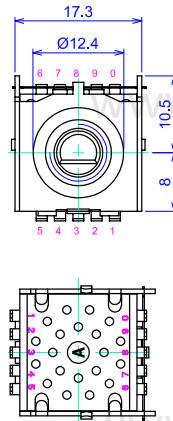
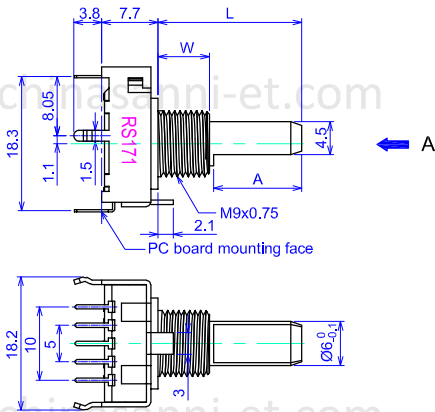


Product Dimensions

Unit:mm

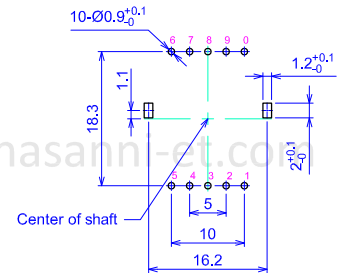
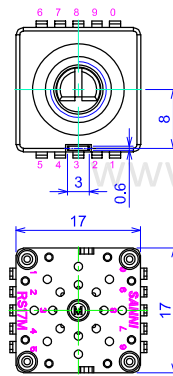
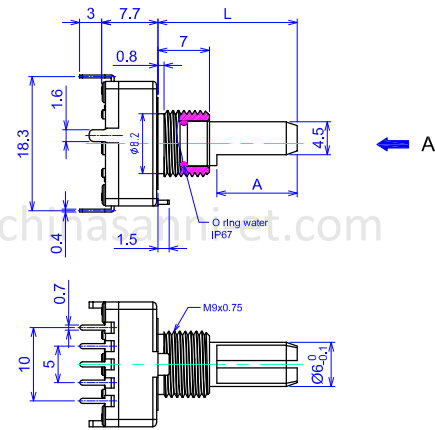
Shaft shown in full CCW position

PC board mounting hole dimensions
(Viewed from mounting side)



Shaft shown in full CCW position

PC board mounting hole dimensions
(Viewed from mounting side)



Standard Circuit Diagram (Viewed From Direction A)

	RS17□□1-1□ 1-Circuit Rotation angle 30°	Dummy terminals
Circuit diagram		RS17□□1-1□ C-
		12-2 positions ④⑤⑥⑦⑧⑨
		13-3 positions ⑤⑥⑦⑧⑨
		14-4 positions ⑥⑦⑧⑨
		15-5 positions ⑦⑧⑨
		16-6 positions ⑧⑨
		17-7 positions ⑨
18-8 positions —		
19-9 positions — ⑩: On-off		
Circuit diagram		Dummy terminals
		RS17□□1-A□ C-
		A2-2 positions ⑤⑥⑦⑧⑨
		A3-3 positions ⑥⑦⑧⑨
		A4-4 positions ⑦⑧⑨
		A5-5 positions ⑧⑨
		A6-6 positions ⑨
A7-7 positions —		

	RS17□□1-2□ 2-Circuit Rotation angle 30°	Dummy terminals
Circuit diagram		RS17□□1-2□ C1- C2-
		22-2 positions ④⑤ ⑧⑨
		23-3 positions ⑤ ⑨
		24-4 positions — —
Circuit diagram		Dummy terminals
		RS17□□1-B□ C1- C2-
		B2-2 positions ⑤ ⑨
		B3-3 positions — —

Bushing Type&Panel Hole Fixed Size

Unit:mm

RS171□□	W	5	7
RS17M□□	□	1	2

Attached Parts

Unit:mm

Shaft Specifications

Unit:mm

TB-Shaft Type						FB-Shaft Type							
Detail Dimensions						Detail Dimensions							
L	15	20	22.5	25	27.5	L	10	13.5	15	17.5	20	25	29.5
A	7.0	12	12	12	12	A	4.0	5.5	7.0	9.5	12	12	12
W	5/7	5/7	5/7	5/7	5/7	W	5	5	5/7	5/7	5/7	5/7	5/7